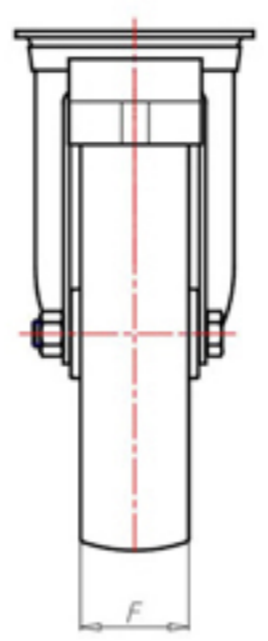
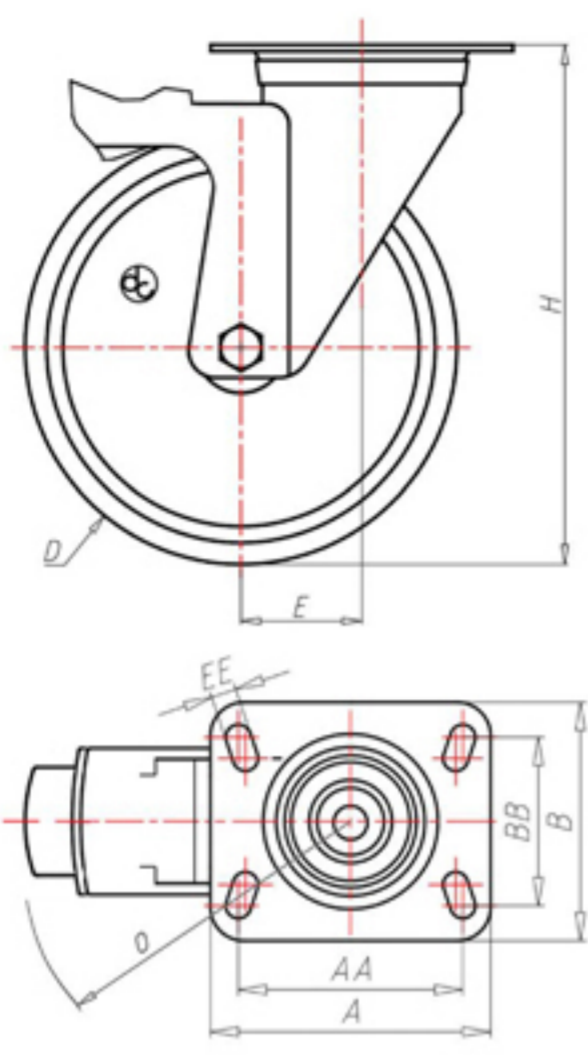




72 Shore A
+80°C
-40°C

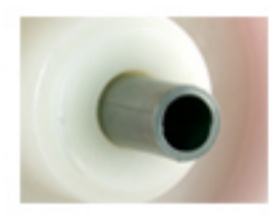


	D	100
	F	33
	H	128
	AxB	100x85
	AAxBB	80x60
	EE	9
	E	42
	O	124
	LC	180



Code for plain bore wheel

ACGZ10045FS



Code for wheel with roller bearing

ACGZ10045RFS

