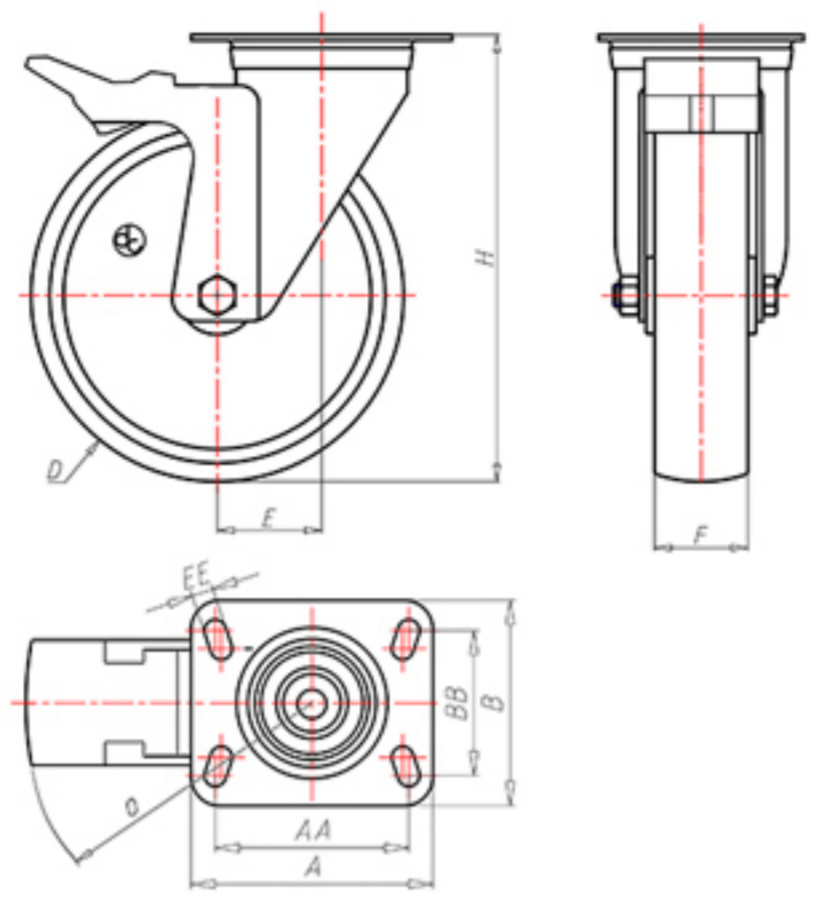




72 Shore A
+80°C
-40°C

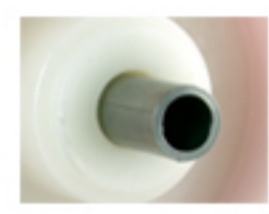


	D	125
	F	35
	H	155
	AxB	100x85
	AAxBB	80x60
	EE	9
	E	44
	O	124
	LC	210



Code for plain bore wheel

ACGZ12545FA



Code for wheel with roller bearing

ACGZ12545RFA

