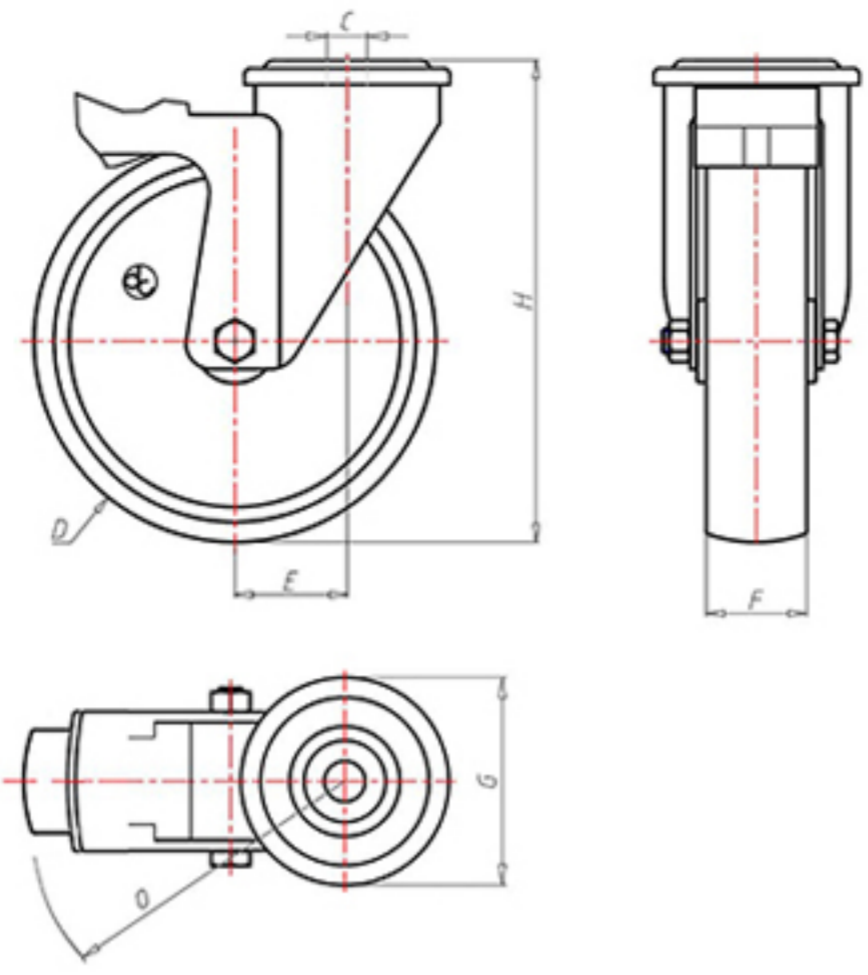




72 Shore A  
+80°C  
-40°C

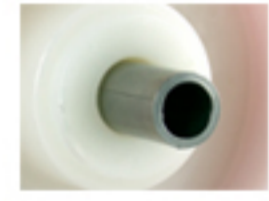


	D	125
	F	35
	H	155
	G	Ø 77
	C	Ø 12
	E	44
	O	104
	LC	210



Code for plain bore wheel

**ACPZ12545FS**



Code for wheel with roller bearing

**ACPZ12545RFS**

