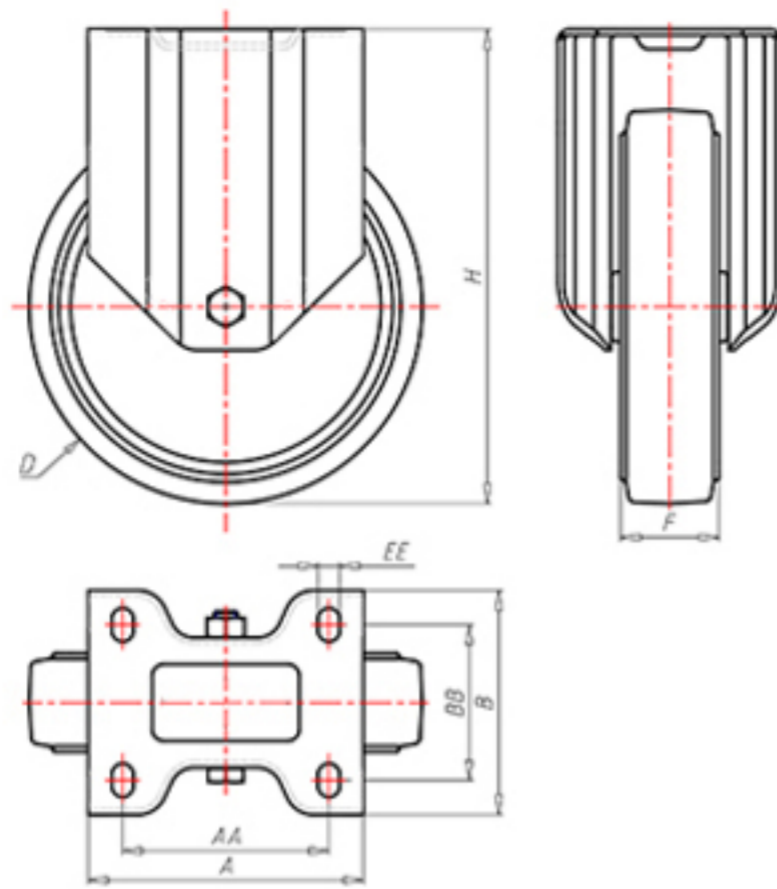


**DITHERM
MTW**

+300°C
-40°C

INOX



	D	80
	F	35
	H	108
	AxB	100x85
	AAxBB	80x60
	EE	9
	LC	170



Code for plain bore wheel

MFX80



Code for wheel with coated bush

MFX80BR



Code for wheel with double BT self-lube bush

MFX80BT



Code for wheel with double HT ball bearing

MFX80C



Code wheel with double sintered bronze bush

MFX80BS

