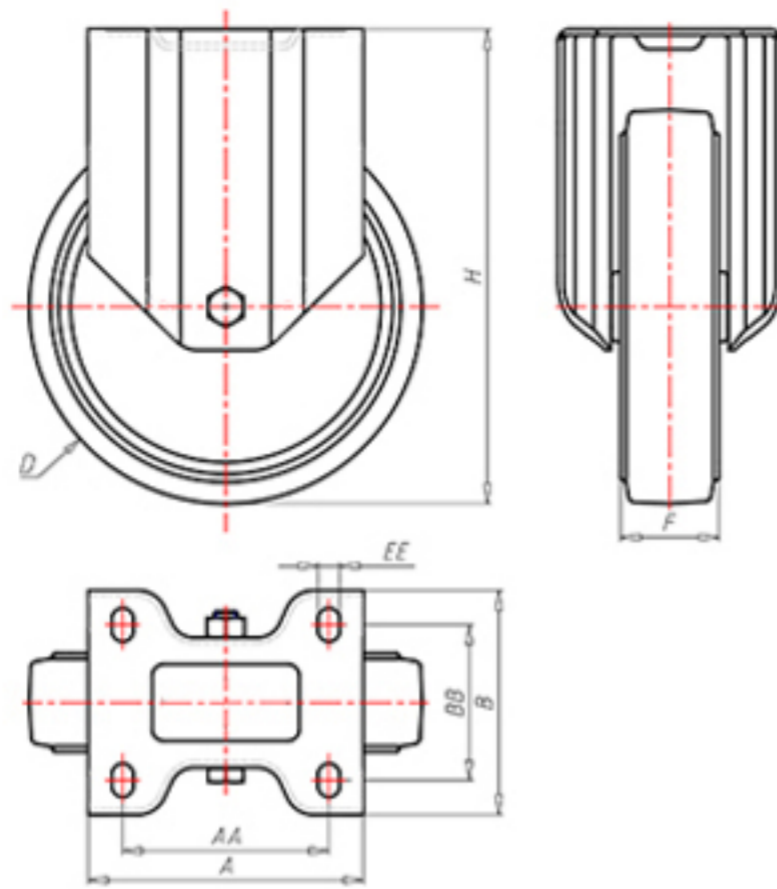


**DITHERM
MTW**

+300°C
-40°C



	D	100
	F	35
	H	128
	AxB	100x85
	AAxBB	80x60
	EE	9
	LC	210



Code for plain bore wheel

MFZ100



Code for wheel with coated bush

MFZ100BR



Code for wheel with double BT self-lube bush

MFZ100BT



Code for wheel with double HT ball bearing

MFZ100C



Code wheel with double sintered bronze bush

-

