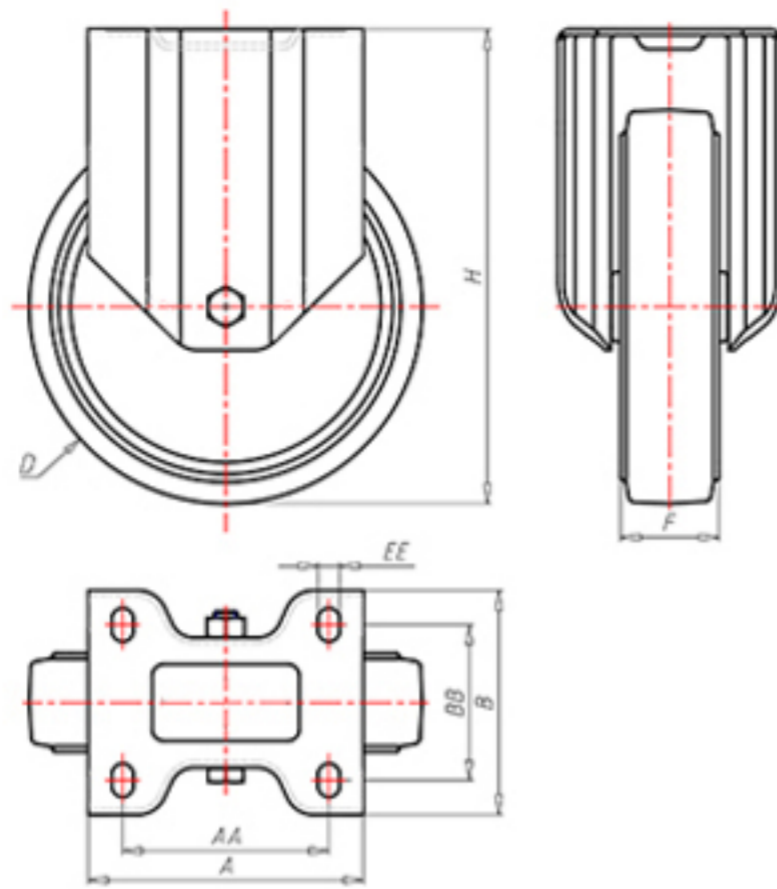


**DITHERM  
MTW**

+300°C  
-40°C



	D	125
	F	40
	H	155
	AxB	100x85
	AAxBB	80x60
	EE	9
	LC	250



Code for plain bore wheel

**MFZ12545**



Code for wheel with coated bush

**MFZ12545BR**



Code for wheel with double BT self-lube bush

**MFZ12545BT**



Code for wheel with double HT ball bearing

-



Code wheel with double sintered bronze bush

-

