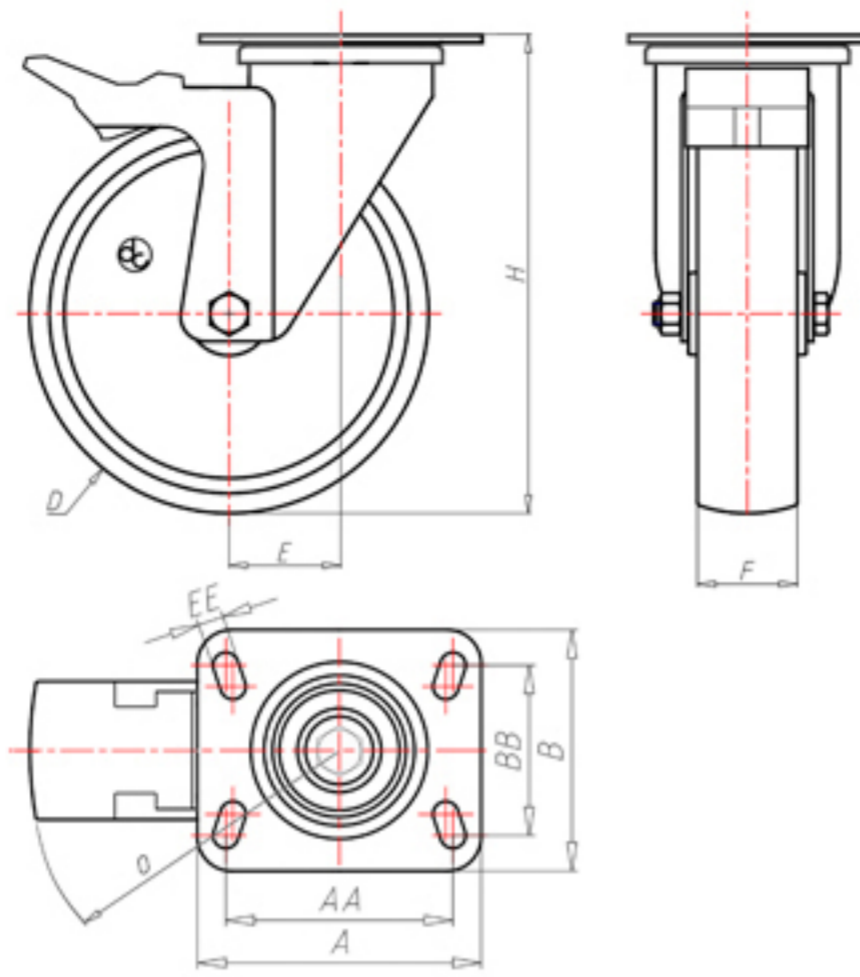


**DITHERM
MTW**

+300°C
-40°C

INOX



	D	100
	F	35
	H	131
	AxB	100x85
	AAxBB	80x60
	EE	9
	E	42
	O	124
	LC	210



Code for plain bore wheel

MGX100PFA



Code for wheel with coated bush

MGX100PBRFA



Code for wheel with double BT self-lube bush

MGX100PBTFA



Code for wheel with double HT ball bearing

MGX100PCFA



Code wheel with double sintered bronze bush

-

