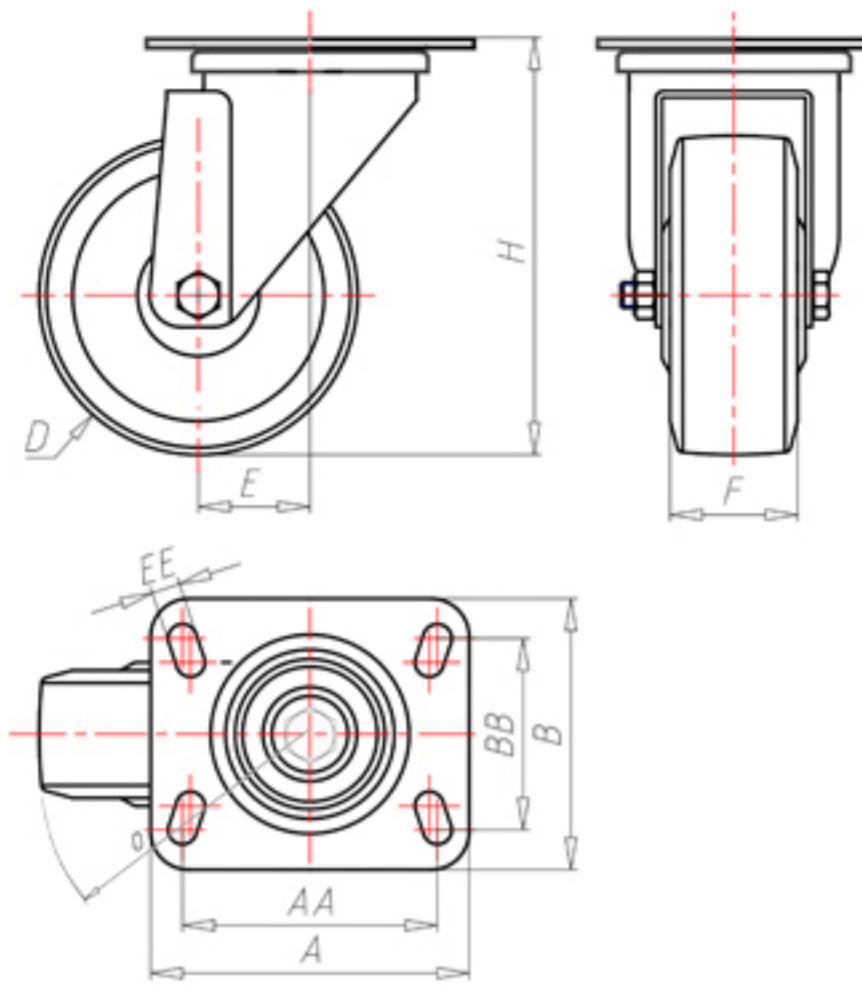


**DITHERM  
MTW**

+300°C  
-40°C

**INOX**



	D	80
	F	35
	H	110
	AxB	100x85
	AAxBB	80x60
	EE	9
	E	40
	O	82
	LC	170



Code for plain bore wheel

**MGX80P**



Code for wheel with coated bush

**MGX80PBR**



Code for wheel with double BT self-lube bush

**MGX80PBT**



Code for wheel with double HT ball bearing

**MGX80PC**



Code wheel with double sintered bronze bush

**MGX80PBS**

