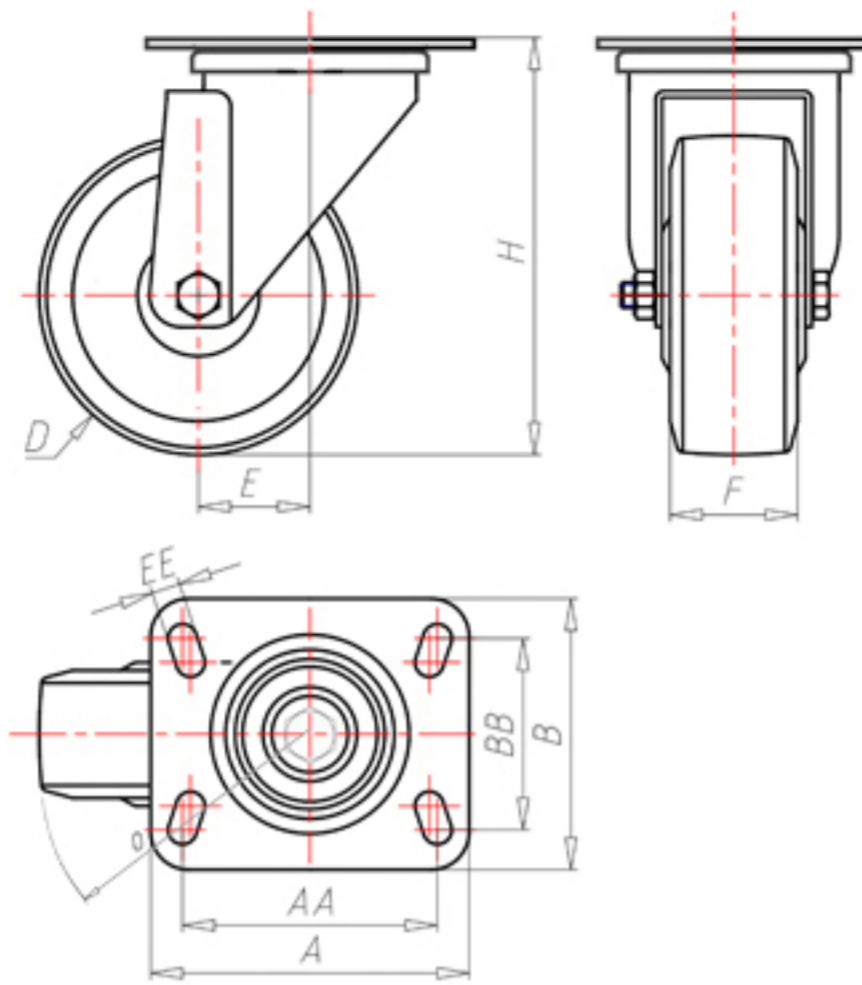


**DITHERM  
MTW**

+300°C  
-40°C



	D	80
	F	35
	H	110
	AxB	100x85
	AAxBB	80x60
	EE	9
	E	40
	O	82
	LC	170



Code for plain bore wheel

**MGZ80P**



Code for wheel with coated bush

**MGZ80PBR**



Code for wheel with double BT self-lube bush

**MGZ80PBT**



Code for wheel with double HT ball bearing

**MGZ80PC**



Code wheel with double sintered bronze bush

**MGZ80PBS**

