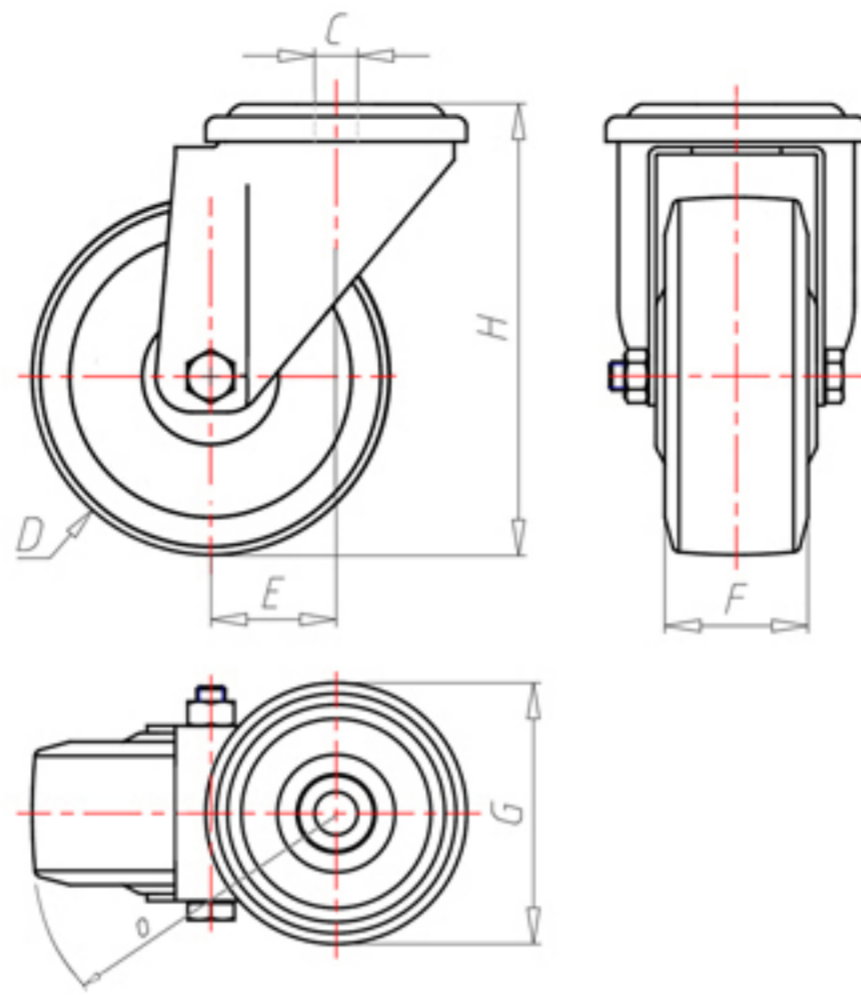


**DITHERM
MTW**

+300°C
-40°C

INOX



	D	100
	F	35
	H	128
	G	Ø 77
	C	Ø 12
	E	42
	O	92
	LC	210



Code for plain bore wheel

MPX100



Code for wheel with coated bush

MPX100BR



Code for wheel with double BT self-lube bush

MPX100BT



Code for wheel with double HT ball bearing

MPX100C



Code wheel with double sintered bronze bush

-

