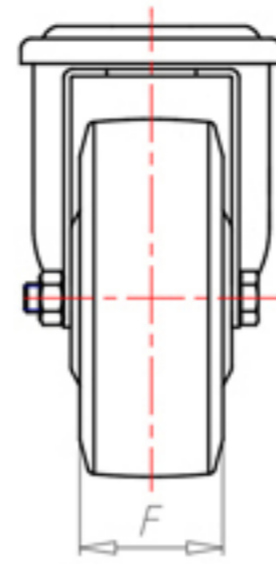
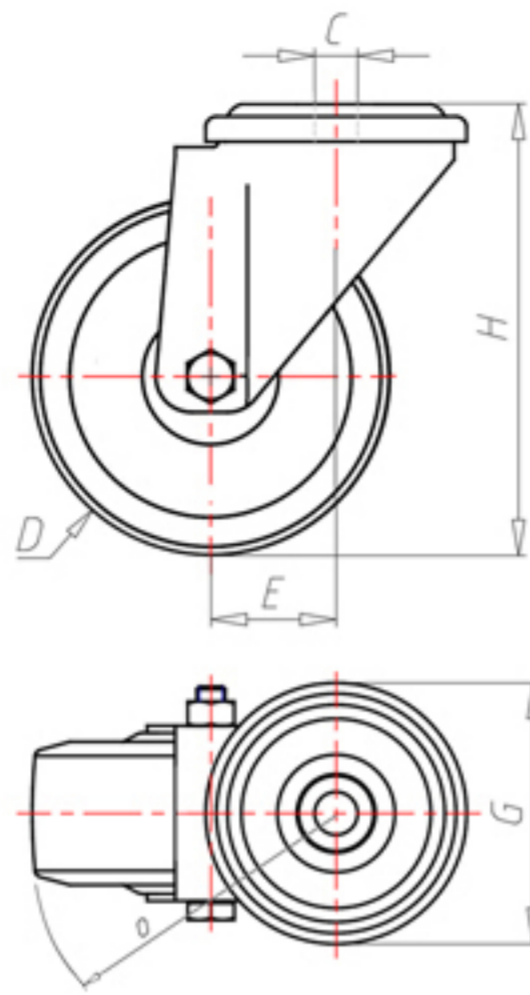


**DITHERM
MTW**

+300°C
-40°C

INOX



| | | |
|--|----|------|
| | D | 100 |
| | F | 35 |
| | H | 128 |
| | G | Ø 77 |
| | C | Ø 12 |
| | E | 42 |
| | O | 92 |
| | LC | 190 |



Code for plain bore wheel

MPX100L



Code for wheel with coated bush

MPX100LBR



Code for wheel with double BT self-lube bush

MPX100LBT



Code for wheel with double HT ball bearing

-



Code wheel with double sintered bronze bush

MPX100LBS

