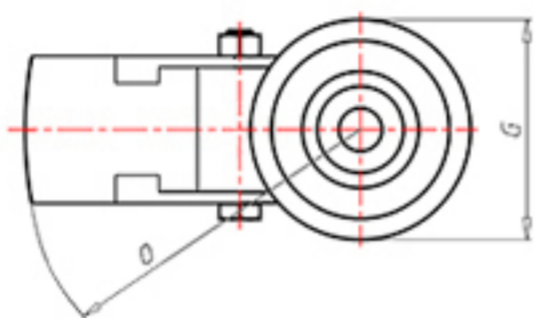
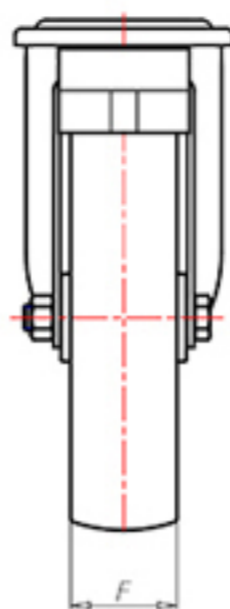
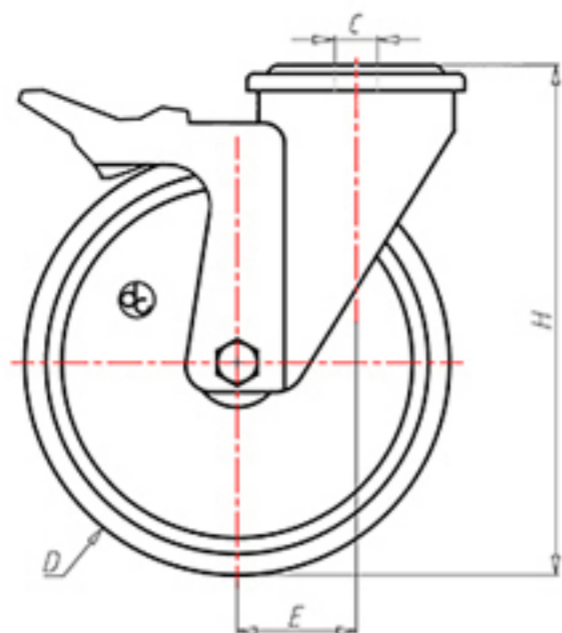


**DITHERM  
MTW**

+300°C  
-40°C

**INOX**



	D	150
	F	45
	H	181
	G	Ø 102
	C	Ø 16
	E	52
	O	124
	LC	300



Code for plain bore wheel

**MPX150FA**



Code for wheel with coated bush

-



Code for wheel with double BT self-lube bush

-



Code for wheel with double HT ball bearing

-



Code wheel with double sintered bronze bush

**MPX150BSFA**

