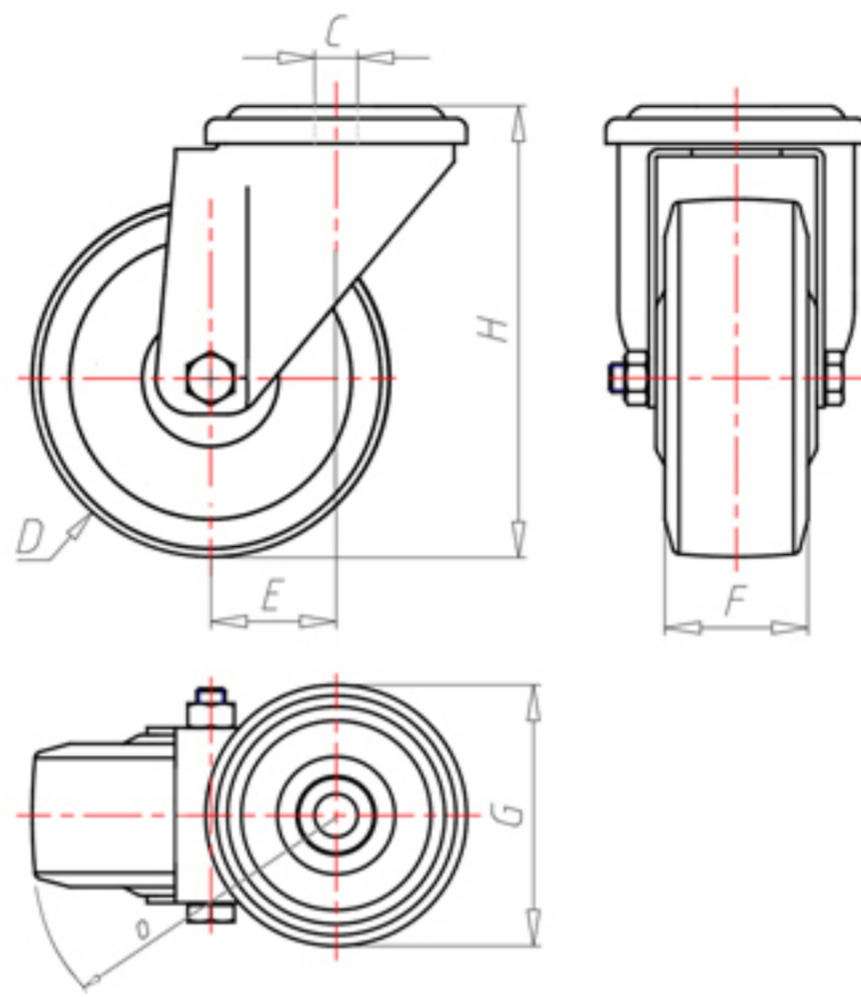


**DITHERM
MTW**

+300°C
-40°C

INOX



	D	80
	F	35
	H	108
	G	Ø 77
	C	Ø 12
	E	40
	O	82
	LC	170



Code for plain bore wheel

MPX80



Code for wheel with coated bush

MPX80BR



Code for wheel with double BT self-lube bush

MPX80BT



Code for wheel with double HT ball bearing

MPX80C



Code wheel with double sintered bronze bush

MPX80BS

