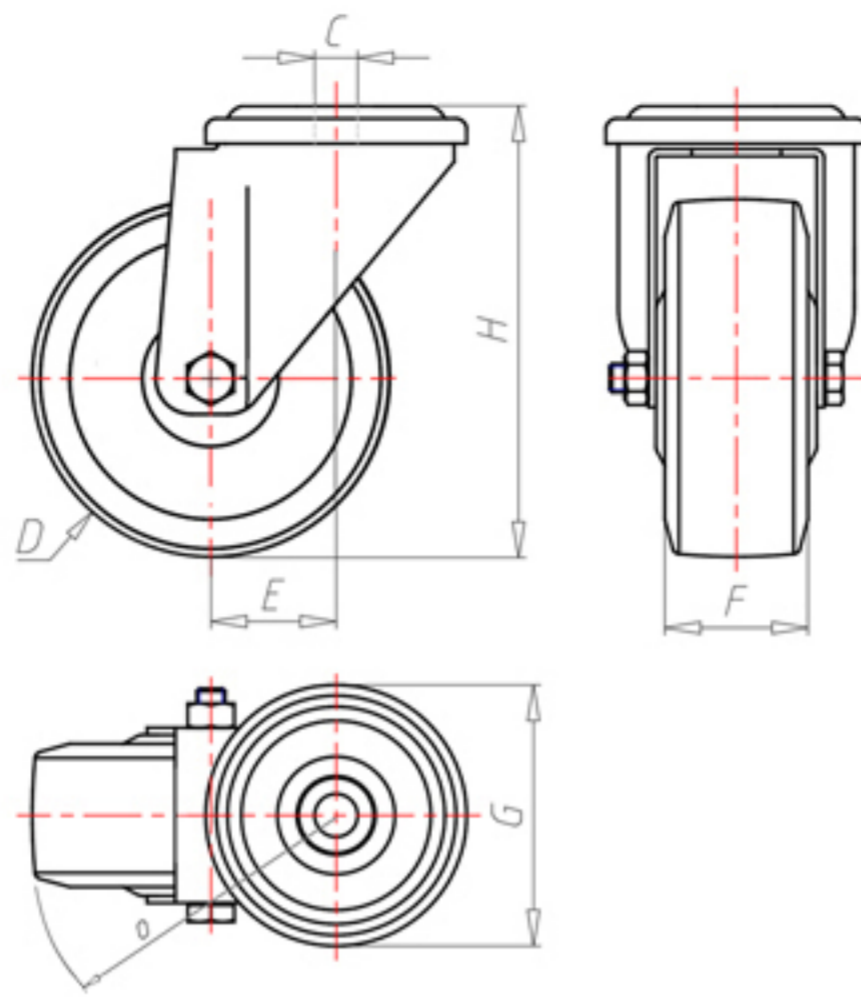


**DITHERM  
MTW**

+300°C  
-40°C



	D	100
	F	35
	H	128
	G	Ø 77
	C	Ø 12
	E	42
	O	92
	LC	210



Code for plain bore wheel

**MPZ100**



Code for wheel with coated bush

**MPZ100BR**



Code for wheel with double BT self-lube bush

**MPZ100BT**



Code for wheel with double HT ball bearing

**MPZ100C**



Code wheel with double sintered bronze bush

-

