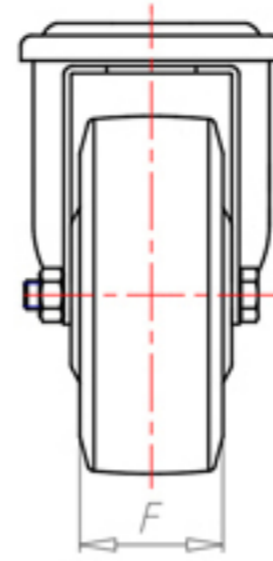
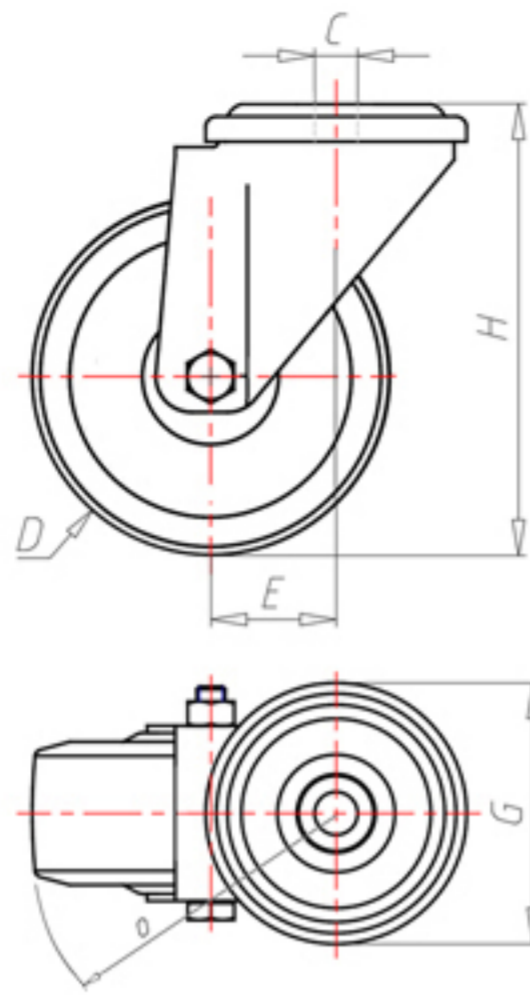


**DITHERM
MTW**

+300°C
-40°C



	D	150
	F	45
	H	181
	G	Ø 102
	C	Ø 16
	E	52
	O	120
	LC	300



Code for plain bore wheel

MPZ150



Code for wheel with coated bush

-



Code for wheel with double BT self-lube bush

-



Code for wheel with double HT ball bearing

-



Code wheel with double sintered bronze bush

MPZ150BS

