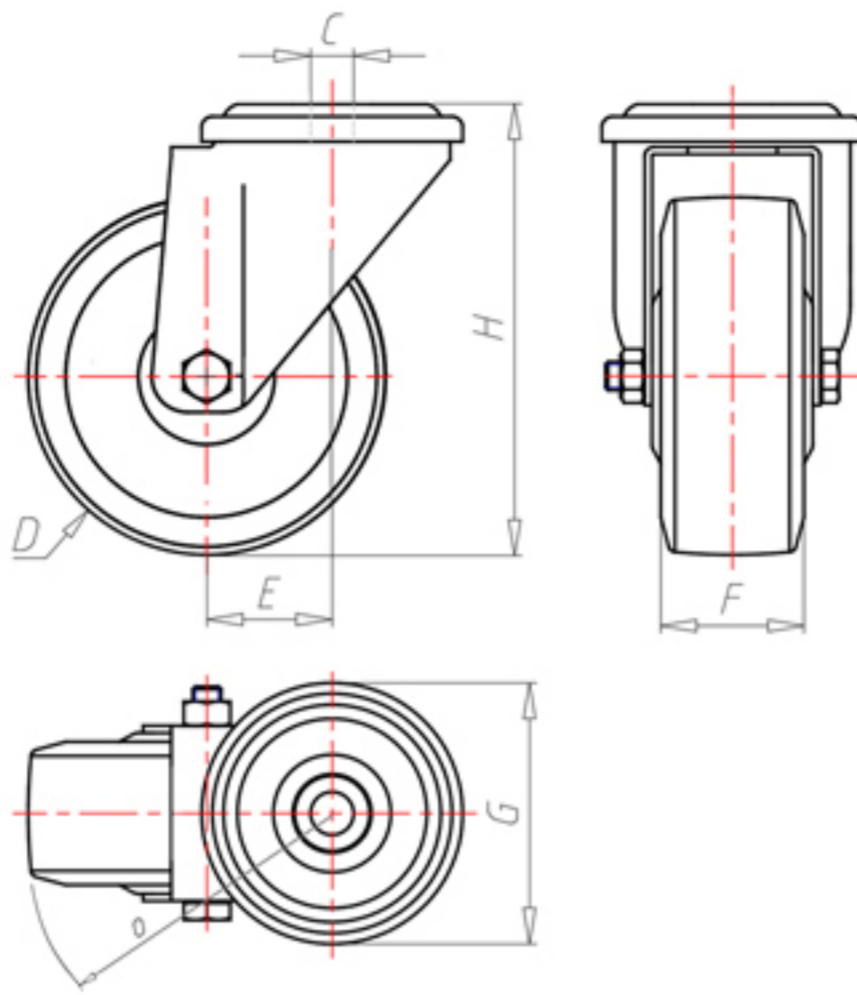


**DITHERM
MTW**

+300°C
-40°C



	D	80
	F	35
	H	108
	G	Ø 77
	C	Ø 12
	E	40
	O	82
	LC	170



Code for plain bore wheel

MPZ80



Code for wheel with coated bush

MPZ80BR



Code for wheel with double BT self-lube bush

MPZ80BT



Code for wheel with double HT ball bearing

MPZ80C



Code wheel with double sintered bronze bush

MPZ80BS

