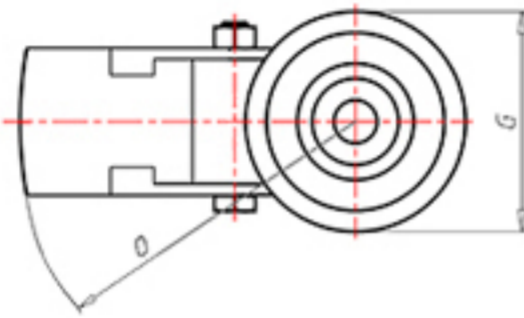
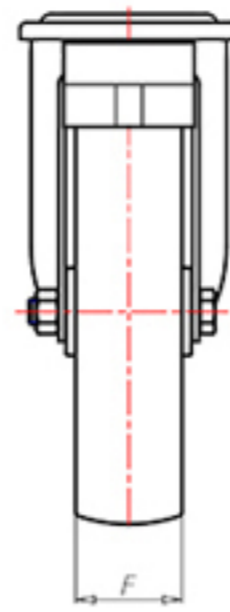
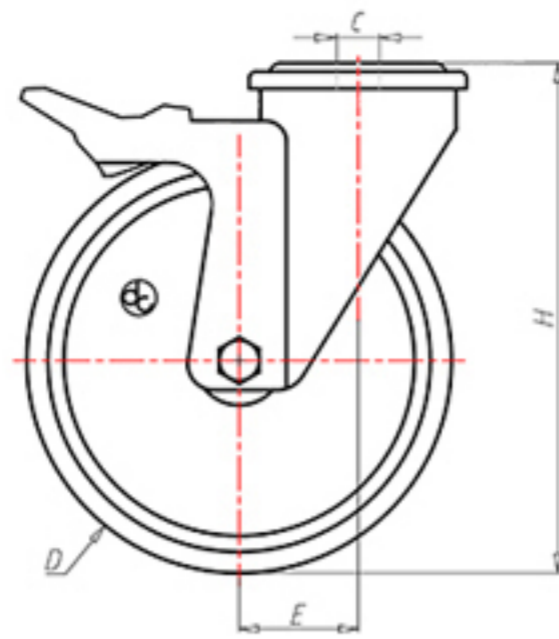


**DITHERM  
MTW**

+300°C  
-40°C



	D	80
	F	35
	H	108
	G	Ø 77
	C	Ø 12
	E	40
	O	124
	LC	170



Code for plain bore wheel

**MPZ80FA**



Code for wheel with coated bush

**MPZ80BRFA**



Code for wheel with double BT self-lube bush

**MPZ80BTFA**



Code for wheel with double HT ball bearing

**MPZ80CFA**



Code wheel with double sintered bronze bush

**MPZ80BSFA**

