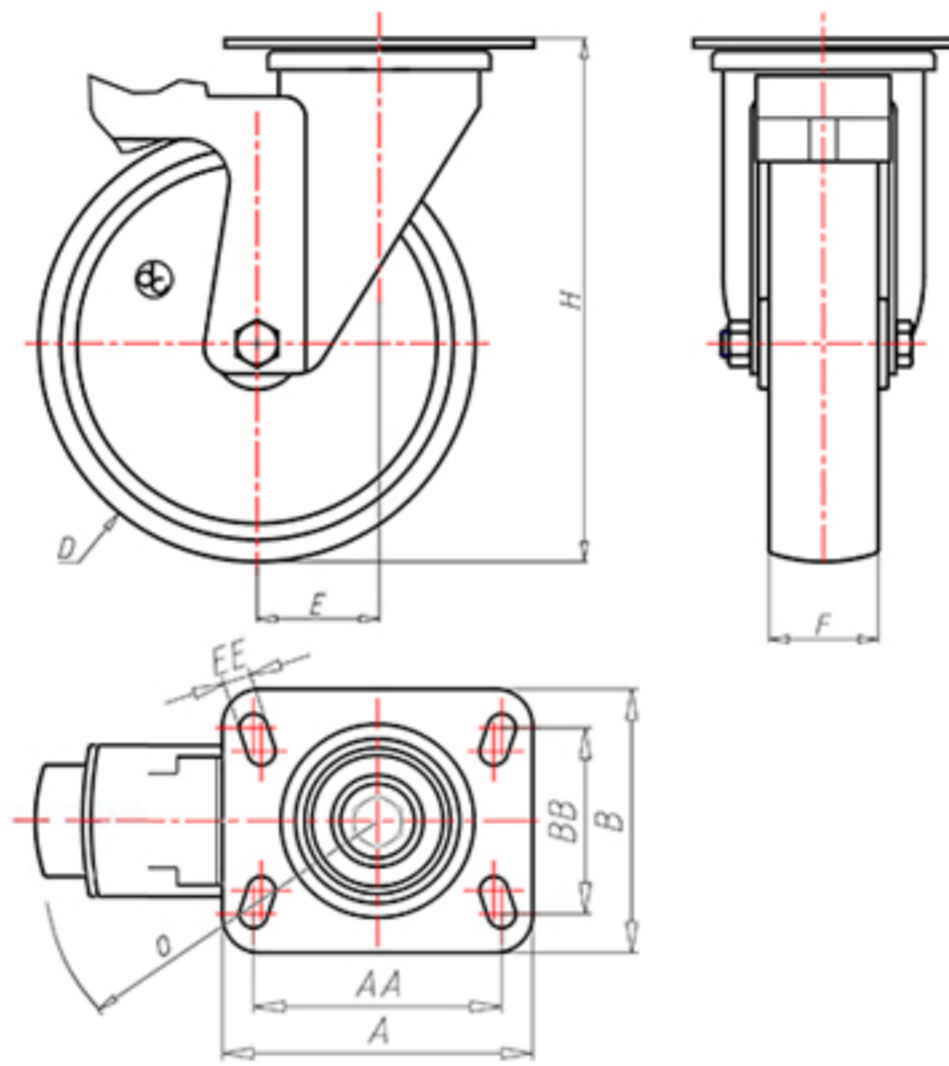




70 Shore D  
+90°C  
-40°C

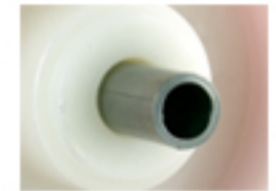


	D	100
	F	33
	H	131
	AxB	100x85
	AAxBB	80x60
	EE	9
	E	42
	O	124
	LC	250



Code for plain bore wheel

**NYGX10040PFS**



Code for wheel with roller bearing

-



Code for wheel with Inox roller bearing

**NYGX10040PRXFS**

