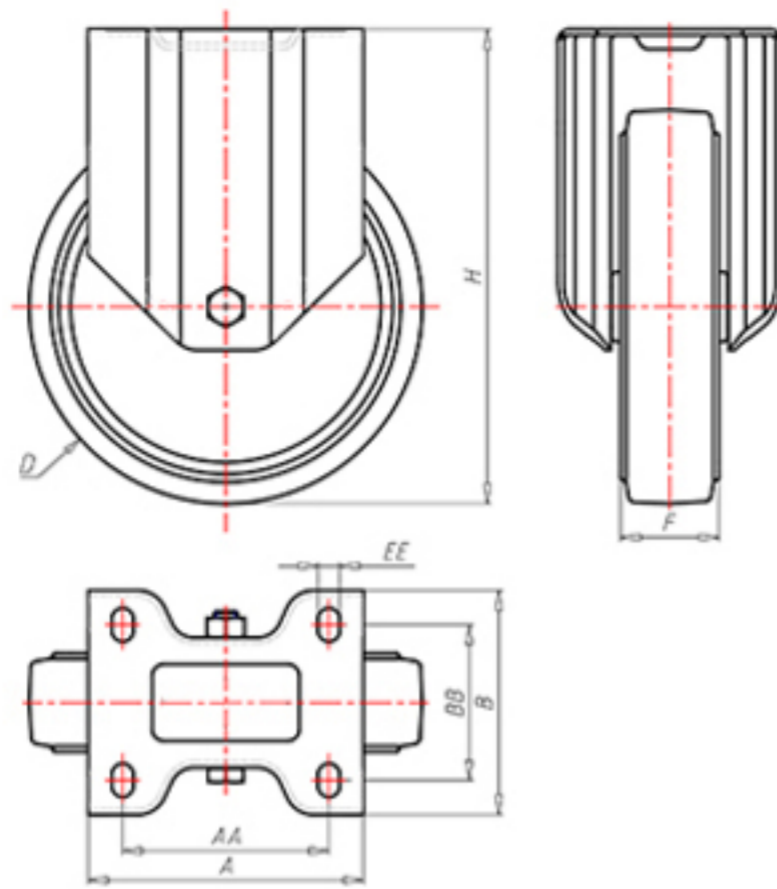


**DITHERM
RHT**

+260°C
-40°C

INOX



	D	100
	F	30
	H	128
	AxB	100x85
	AAxBB	80x60
	EE	9
	LC	120



Code for plain bore wheel

RFX100



Code for wheel with coated bush

RFX100BR



Code for wheel with double BT self-lube bush

RFX100BT



Code for wheel with double HT ball bearing

RFX100C

