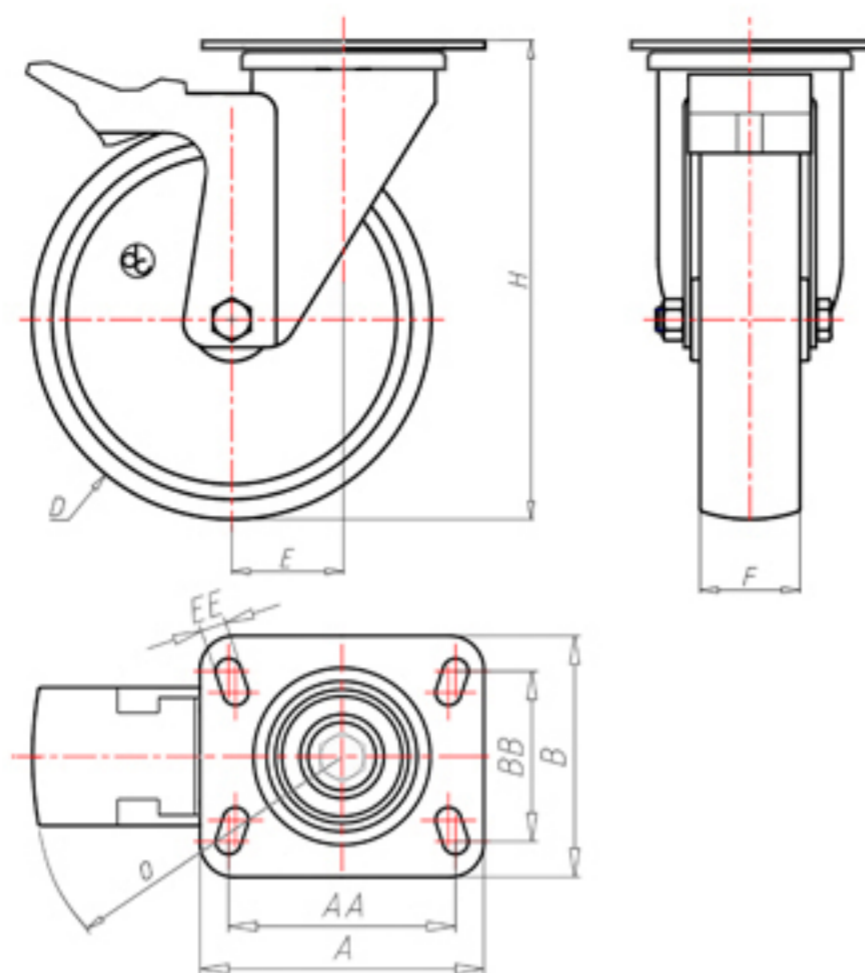




+300°C
-40°C



	D	100
	F	30
	H	131
	AxB	100x85
	AAxBB	80x60
	EE	9
	E	42
	O	124
	LC	120



Code for plain bore wheel

RGZ100WPFA



Code for wheel with coated bush

RGZ100WPBRFA



Code for wheel with double BT self-lube bush

RGZ100WPBTFA



Code for wheel with double HT ball bearing

RGZ100WPCFA

