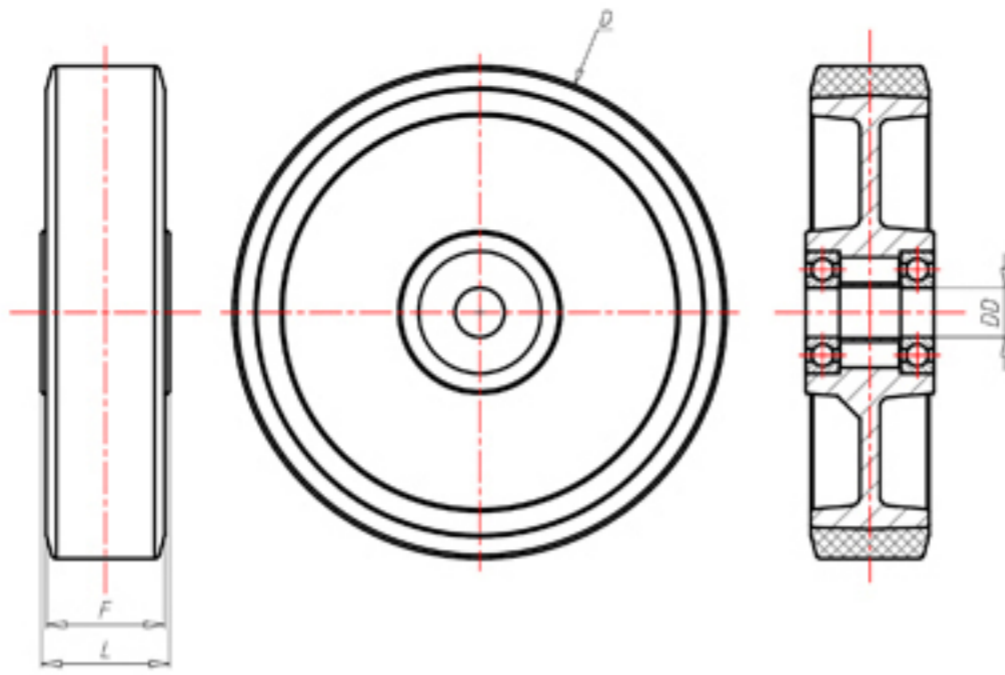




+260°C
-40°C



| | | |
|--|----|------|
| | D | 80 |
| | F | 30 |
| | L | 40 |
| | DD | Ø 12 |
| | LC | 100 |



Code for plain bore wheel

RHT80



Code for wheel with coated bush

-



Code for wheel with double BT self-lube bush

-



Code for wheel with double HT ball bearing

RHT80C

