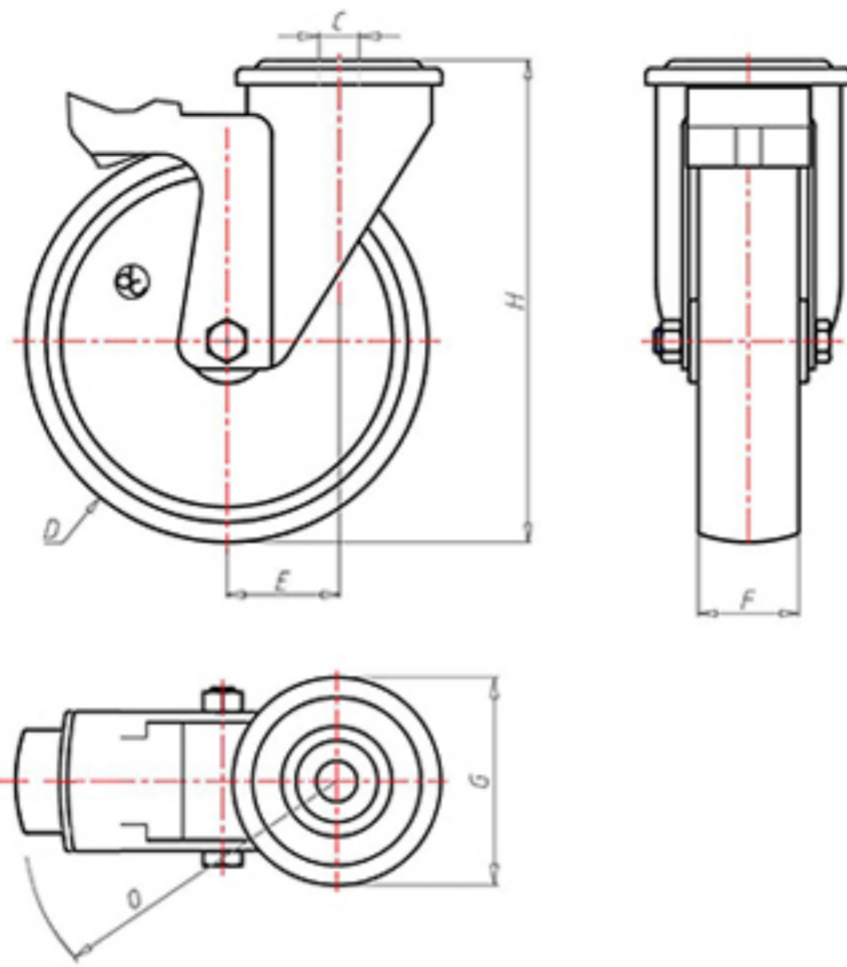


**DITHERM
RHT**

+260°C
-40°C

INOX



	D	100
	F	30
	H	128
	G	Ø 77
	C	Ø 12
	E	42
	O	124
	LC	120



Code for plain bore wheel

RPX100FS



Code for wheel with coated bush

RPX100BRFS



Code for wheel with double BT self-lube bush

RPX100BTFS



Code for wheel with double HT ball bearing

RPX100CFS

