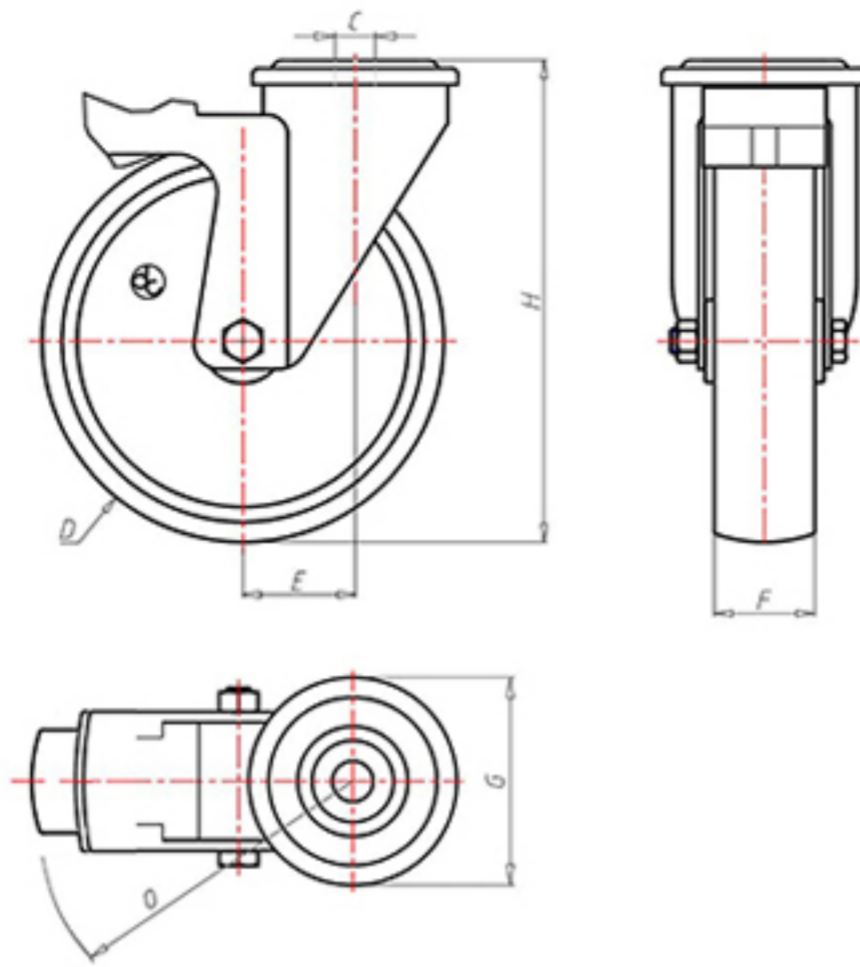




+260°C
-40°C



	D	80
	F	30
	H	108
	G	Ø 77
	C	Ø 12
	E	40
	O	124
	LC	100



Code for plain bore wheel

RPZ80FS



Code for wheel with coated bush

RPZ80BRFS



Code for wheel with double BT self-lube bush

RPZ80BTFS



Code for wheel with double HT ball bearing

RPZ80CFS

