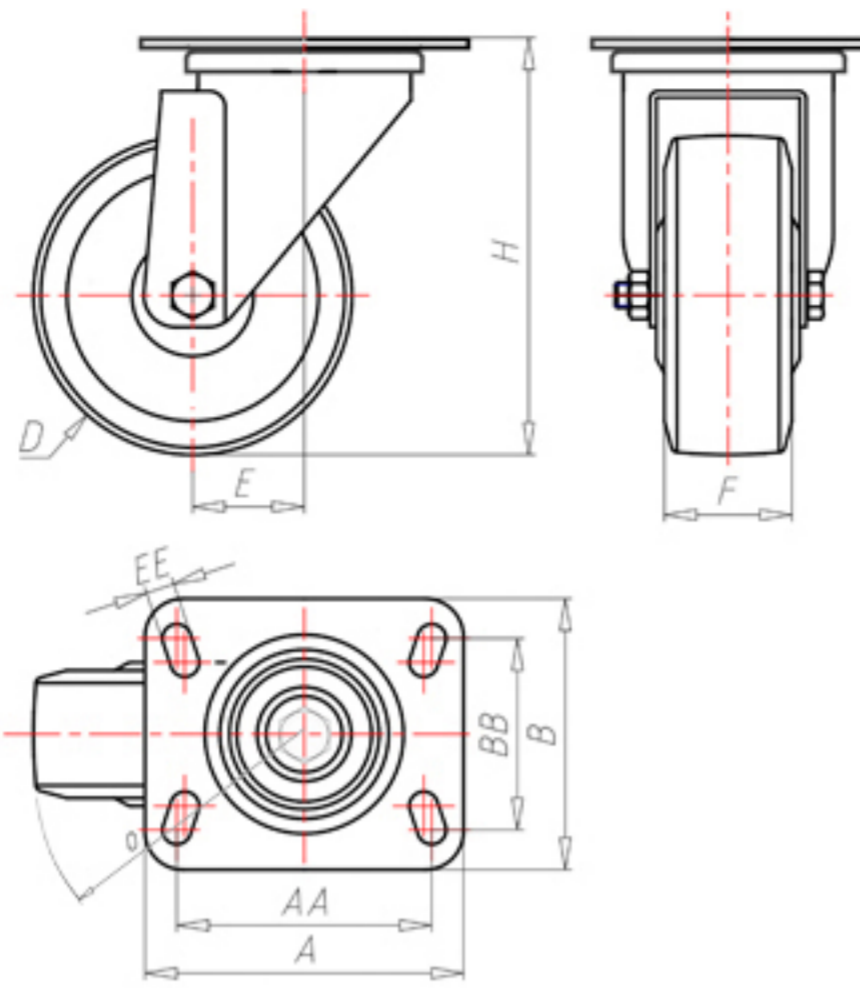


**DITHERM  
STW**

+280°C  
-70°C

**INOX**



	D	100
	F	30
	H	131
	AxB	100x85
	AAxBB	80x60
	EE	9
	E	42
	O	92
	LC	250



Code for plain bore wheel

**SGX100P**



Code for wheel with coated bush

**SGX100PBR**



Code for wheel with double BT self-lube bush

**SGX100PBT**



Code for wheel with double HT ball bearing

**SGX100PC**

