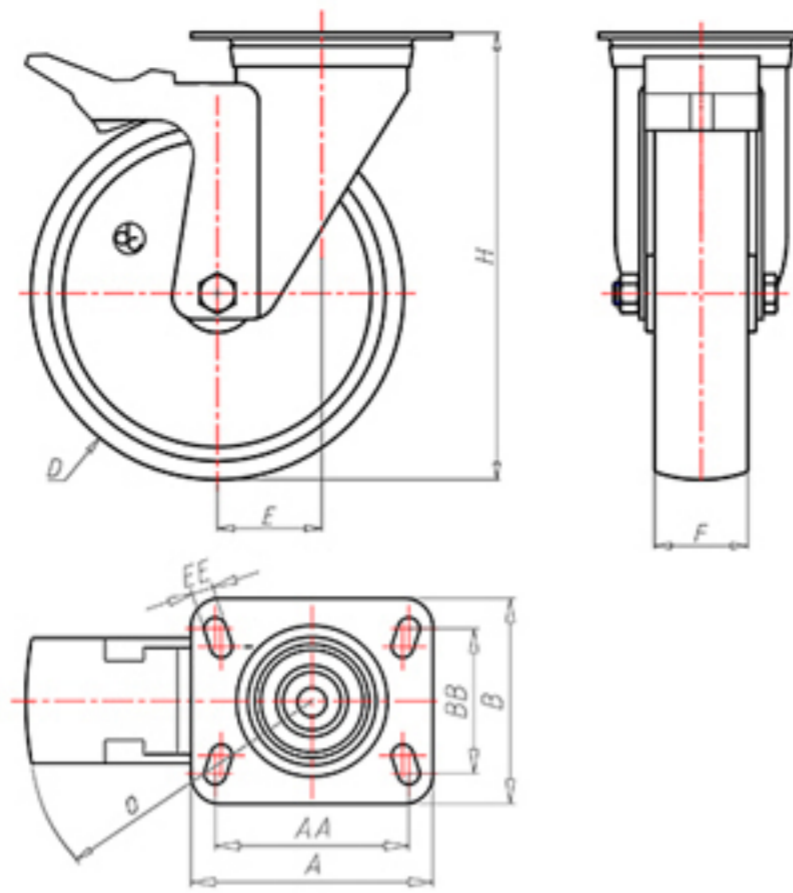


**DITHERM
XTW**

+400°C
-50°C

INOX



	D	100
	F	35
	H	128
	AxB	100x85
	AAxBB	80x60
	EE	9
	E	42
	O	124
	LC	220



Code for plain bore wheel

XGX100FA



Code for wheel with coated bush

XGX100BRFA



Code for wheel with double BT self-lube bush

XGX100BTFA



Code for wheel with double HT ball bearing

XGX100CFA

