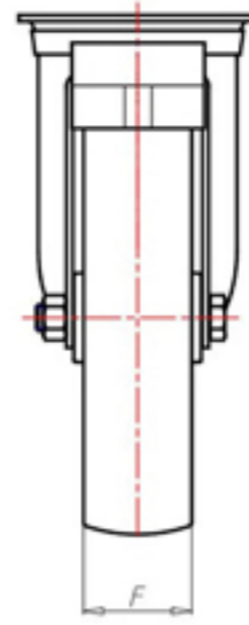
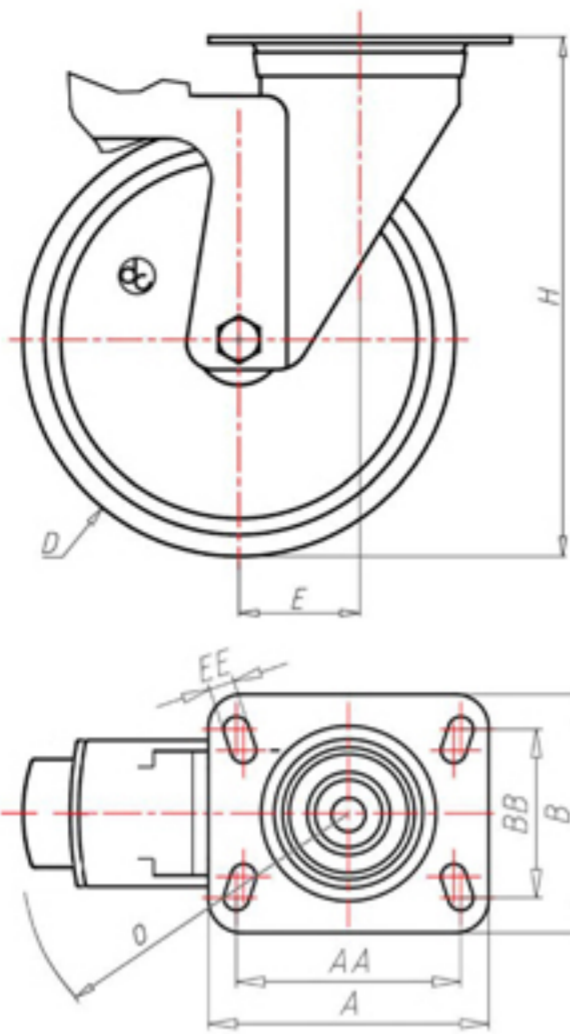


**DITHERM  
XTW**

+400°C  
-50°C

**INOX**



	D	100
	F	35
	H	128
	AxB	100x85
	AAxBB	80x60
	EE	9
	E	42
	O	124
	LC	220



Code for plain bore wheel

**XGX100FS**



Code for wheel with coated bush

**XGX100BRFS**



Code for wheel with double BT self-lube bush

**XGX100BTFS**



Code for wheel with double HT ball bearing

**XGX100CFS**

