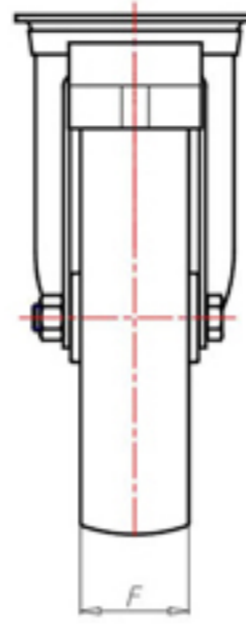
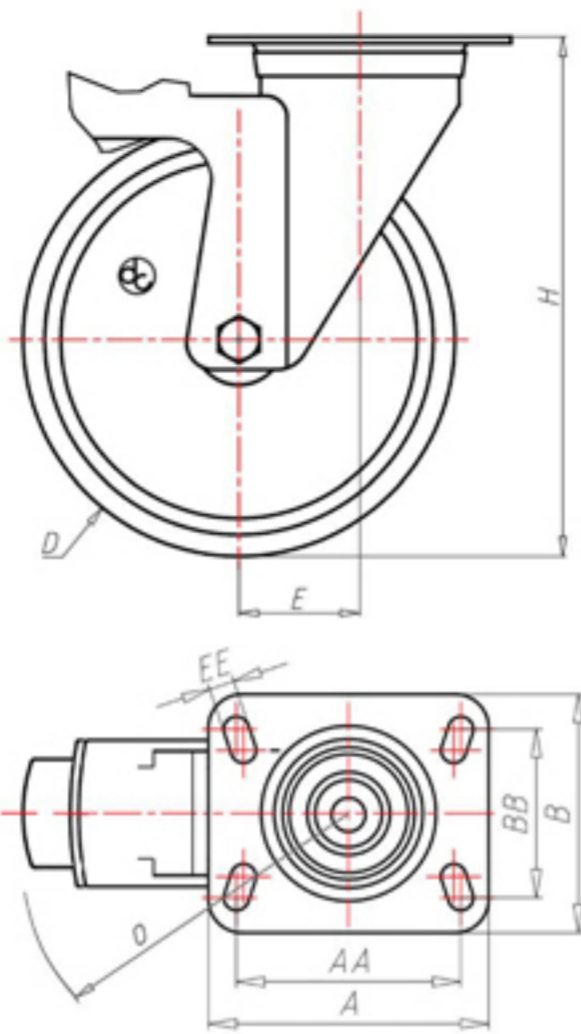


**DITHERM
XTW**

+400°C
-50°C



	D	100
	F	35
	H	128
	AxB	100x85
	AAxBB	80x60
	EE	9
	E	42
	O	124
	LC	220



Code for plain bore wheel

XGZ100FS



Code for wheel with coated bush

XGZ100BRFS



Code for wheel with double BT self-lube bush

XGZ100BTFS



Code for wheel with double HT ball bearing

XGZ100CFS

