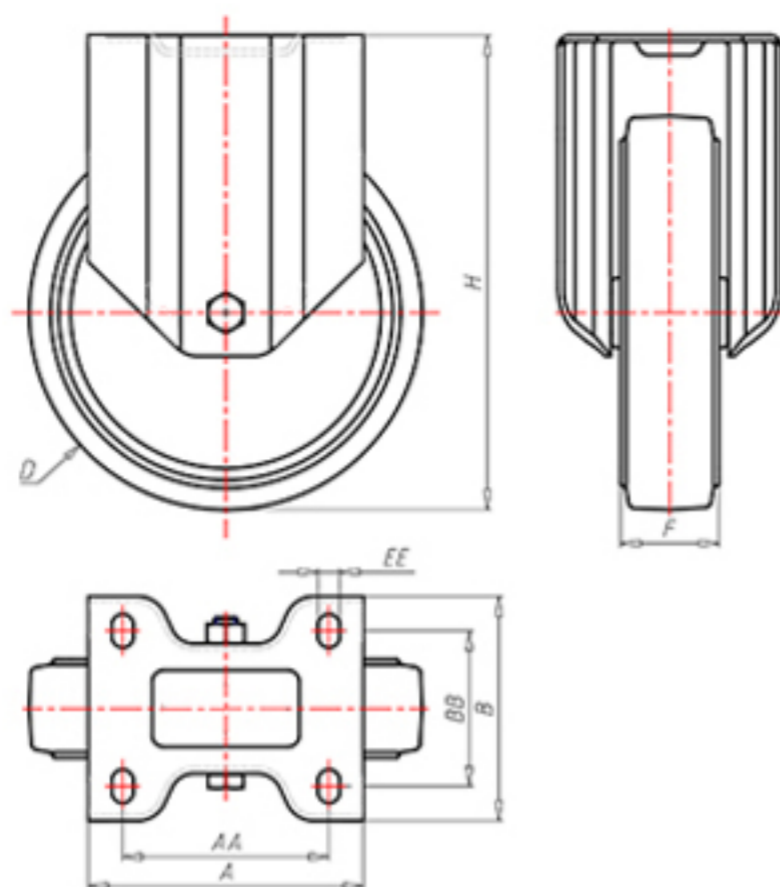


D-NAMIC

92 Shore A
+90°C
-40°C

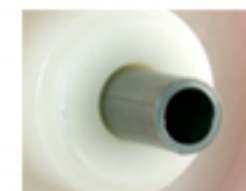


	D	200
	F	50
	H	232
	AxB	135x110
	AAxBB	105x80
	EE	11
	LC	500



Code for plain bore wheel

XNFZ20060



Code for wheel with roller bearing

XNFZ20060R



Code for wheel with double sealed ball bearing

XNFZ200C



Code for wheel with double sealed Inox ball bearing

-

