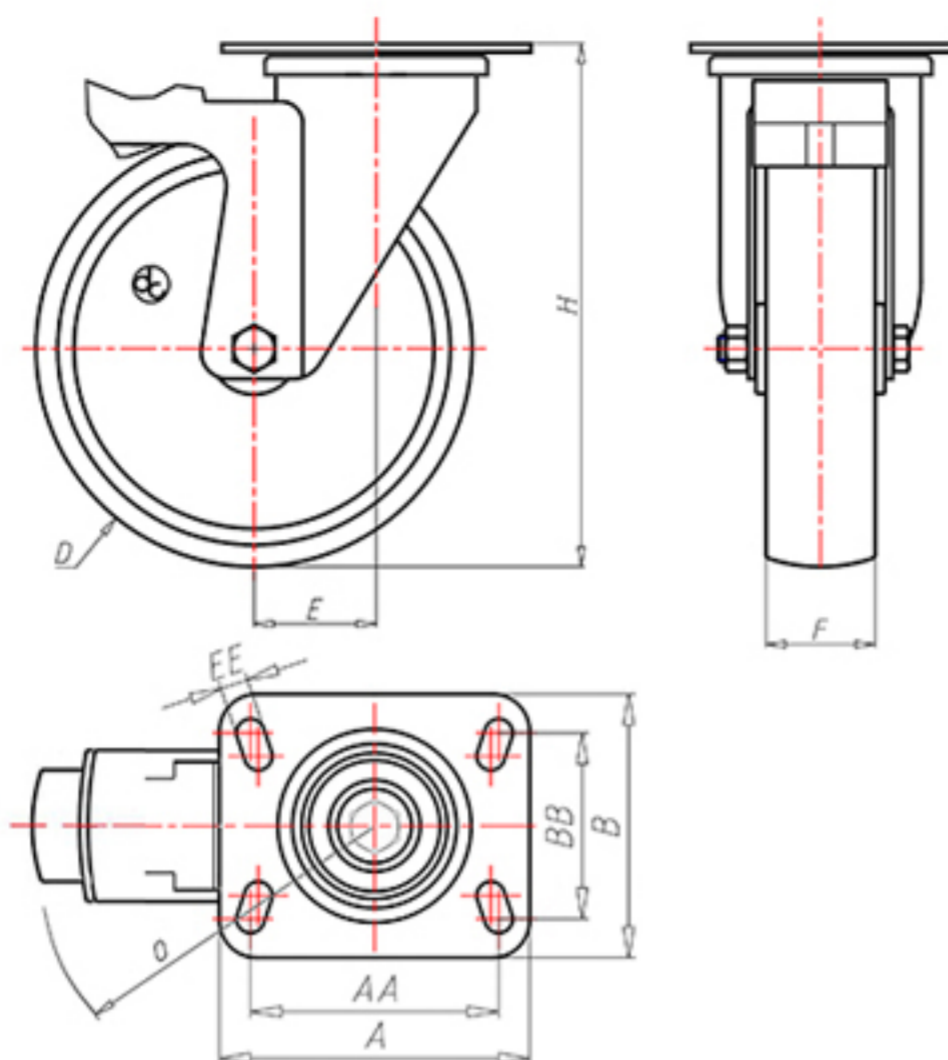


D-NAMIC

92 Shore A
+90°C
-40°C

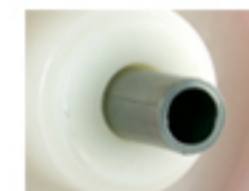
INOX



	D	100
	F	33
	H	131
	AxB	100x85
	AAxBB	80x60
	EE	9
	E	42
	O	124
	LC	250



Code for plain bore wheel
XNGX10040PFS



Code for wheel with rinox roller bearing
XNGX10040PRXFS



Code for wheel with double sealed ball bearing
XNGX10040PCFS



Code for wheel with double sealed Inox ball bearing
XNGX10040PCXFS

