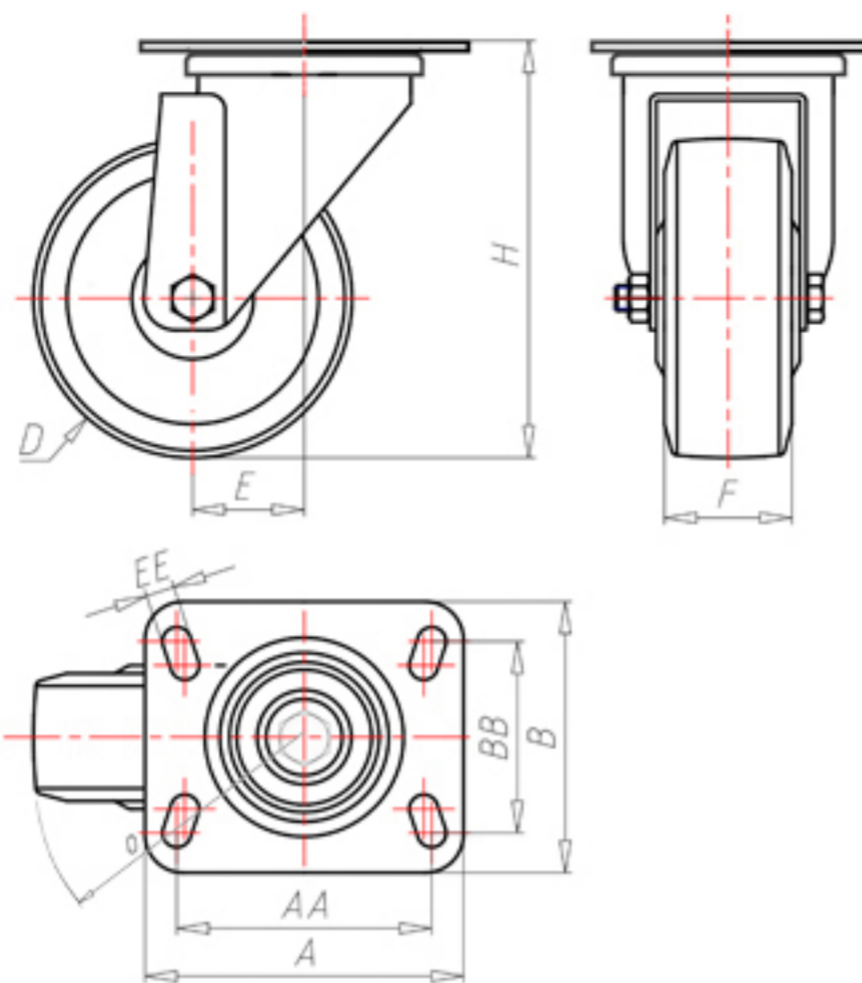


D-NAMIC

92 Shore A
+90°C
-40°C

INOX

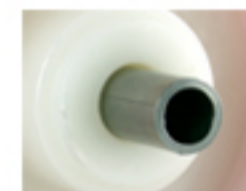


	D	125
	F	35
	H	158
	AxB	100x85
	AAxBB	80x60
	EE	9
	E	44
	O	107
	LC	260



Code for plain bore wheel

XNGX12545P



Code for wheel with Inox roller bearing

XNGX12545PRX



Code for wheel with double sealed ball bearing

XNGX125PC



Code for wheel with double sealed Inox ball bearing

XNGX125PCX

