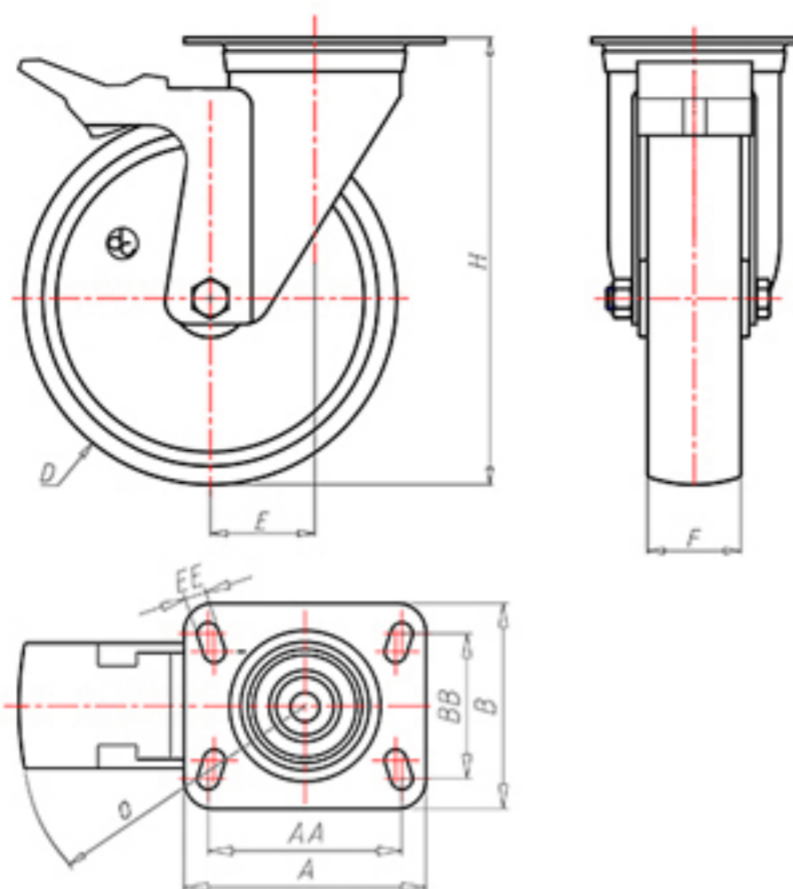


D-NAMIC

92 Shore A  
+90°C  
-40°C

INOX



	D	150
	F	40
	H	181
	AxB	135x110
	AAxBB	105x80
	EE	11
	E	52
	O	124
	LC	350



Code for plain bore wheel

XNGX15060FA



Code for wheel with Inox roller bearing

XNGX15060RXFA



Code for wheel with double sealed ball bearing

XNGX15060CFA



Code for wheel with double sealed Inox ball bearing

XNGX15060CXFA

