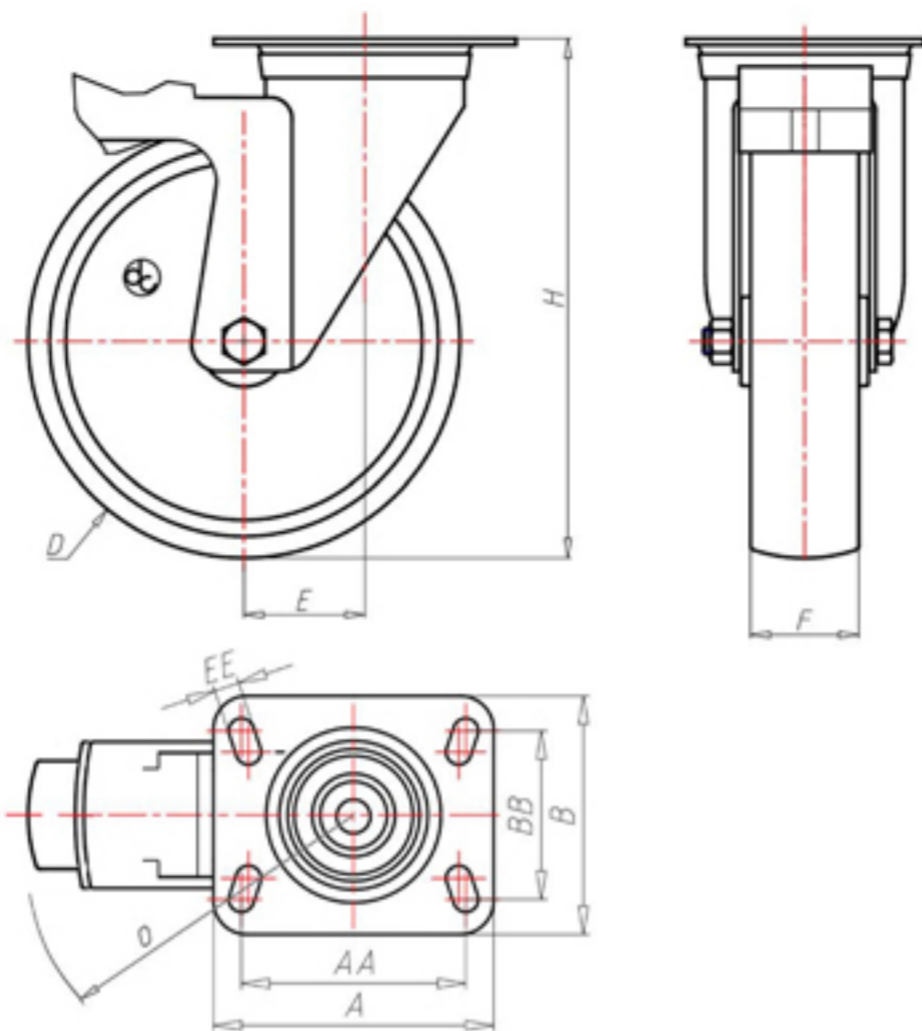


D-NAMIC

92 Shore A  
+90°C  
-40°C



	D	150
	F	40
	H	181
	AxB	100x85
	AAxBB	80x60
	EE	9
	E	46
	O	124
	LC	250



Code for plain bore wheel

XNGZ15045FS



Code for wheel with roller bearing

XNGZ15045RFS



Code for wheel with double sealed ball bearing

XNGZ15045CFS



Code for wheel with double sealed Inox ball bearing

-

