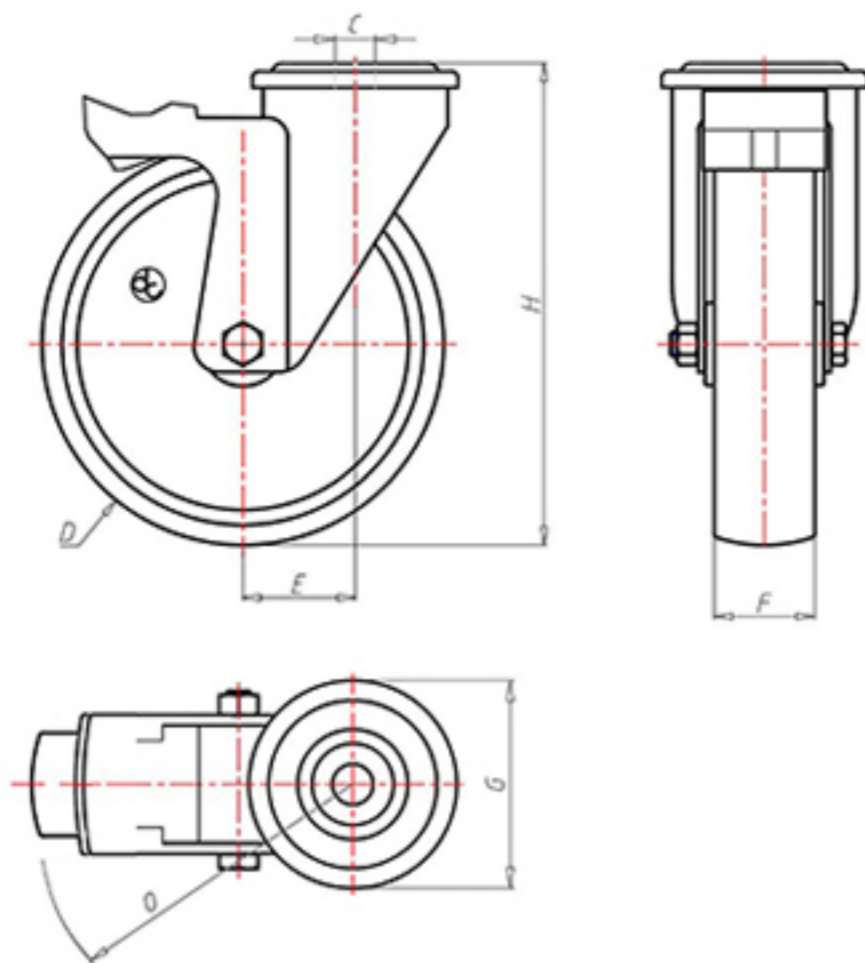


D-NAMIC

92 Shore A
+90°C
-40°C

INOX

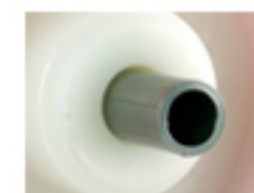


| | | |
|--|----|------|
| | D | 100 |
| | F | 33 |
| | H | 128 |
| | G | Ø 77 |
| | C | Ø 12 |
| | E | 42 |
| | O | 124 |
| | LC | 220 |



Code for plain bore wheel

XNPX10040FS



Code for wheel with Inox roller bearing

XNPX10040RXFS



Code for wheel with double sealed ball bearing

XNPX10040CFS



Code for wheel with double sealed Inox ball bearing

XNPX10040CXFS

