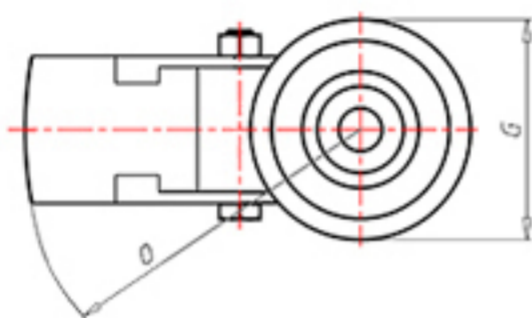
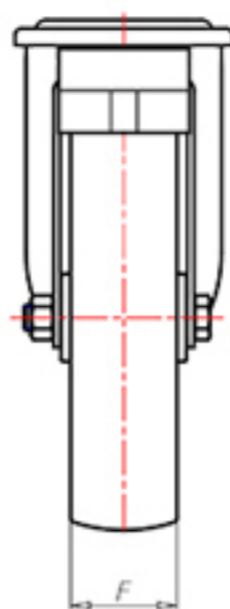
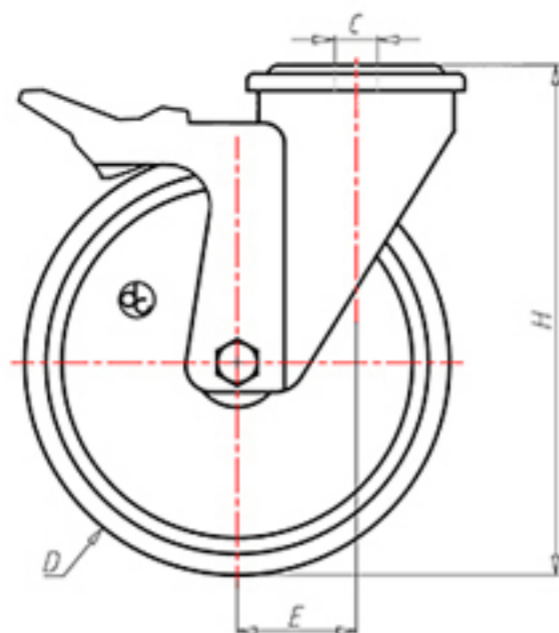


D-NAMIC

92 Shore A
+90°C
-40°C

INOX



	D	150
	F	40
	H	181
	G	Ø 102
	C	Ø 16
	E	52
	O	124
	LC	350



Code for plain bore wheel

XNPX15060FA



Code for wheel with Inox roller bearing

XNPX15060RXFA



Code for wheel with double sealed ball bearing

XNPX15060CFA



Code for wheel with double sealed Inox ball bearing

XNPX15060CXFA

