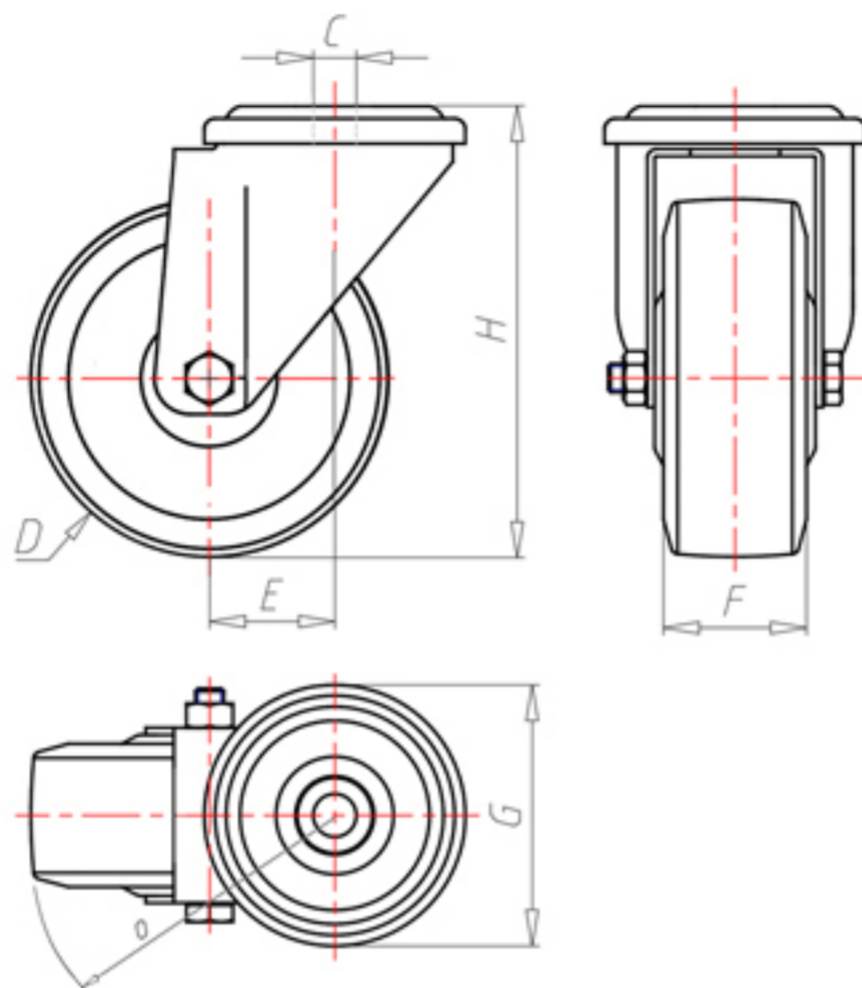


D-NAMIC

92 Shore A
+90°C
-40°C

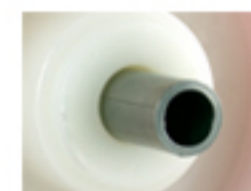


	D	80
	F	33
	H	108
	G	Ø 77
	C	Ø 12
	E	40
	O	82
	LC	200



Code for plain bore wheel

XNPZ8045



Code for wheel with roller bearing

XNPZ8045R



Code for wheel with double sealed ball bearing

XNPZ80C



Code for wheel with double sealed Inox ball bearing

-

